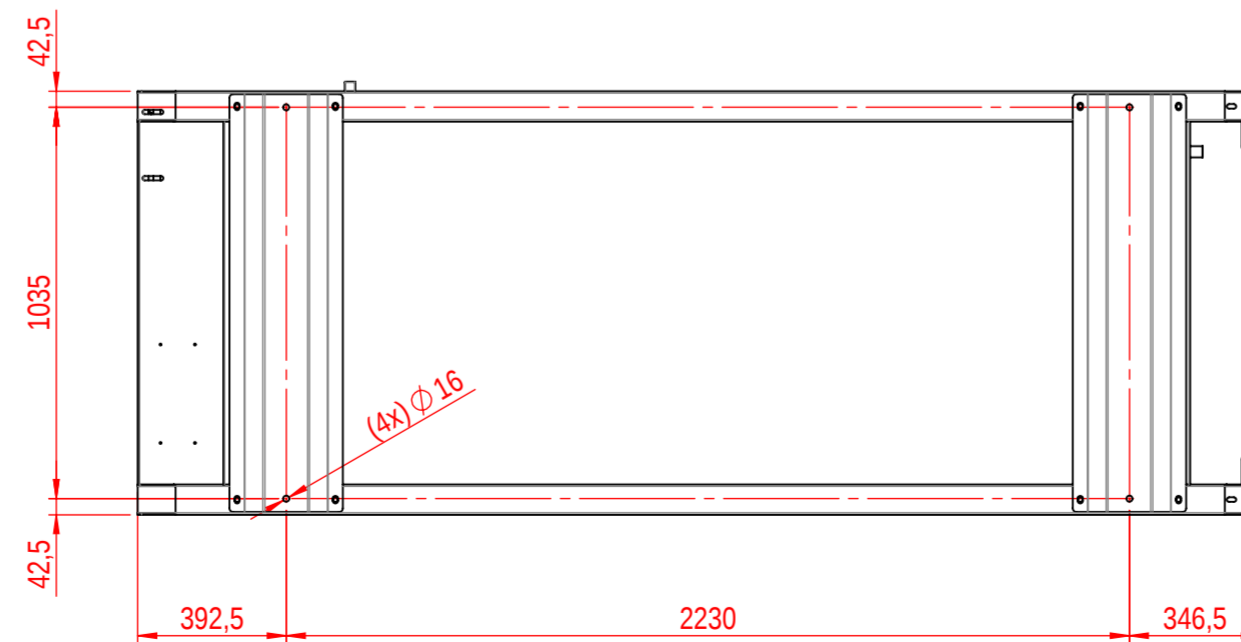


⚠ CENTER OF GRAVITY, WILL VARY SLIGHTLY DEPENDING ON:  
- THE ENGINE-ALTERNATOR COMBINATION  
- THE AMOUNT OF FUEL

ENGINE	CORE RADIATOR				EXHAUST			
	A	B	C	D	X	Y	Z	Ñ
VOLVO TAD732GE	753	960	211	698	864	1614	935	4" (101,6)
VOLVO TAD841GE	644	991	193	734	1298	1493	173	4" (101,6)
BAUDOUIN 6M16G275/5	729	960	90	950	874	1662	886	4" (101,6)



8 4l >58C DC F. 80k b Vm	RSU ÖCE-CE	97 <5 BUY	GCBEU EDECE		
50FC 658C DC F. 50dtej YX Vm	ÖVCF ÖÜQ	97 <5 BUY	HEP EDECH		
A C B = 757 ± B DC F. A < X Z M U F = b Vm	ÖVCF ÖÜQ	97 <5 BUY	HEP EDECH		
8 9G7 F 07 ± B. 8YgWp1e.b					

ÖÖÖÜVÒÖP EÖÖP ÙÖV' ÖÖWÜVÜÖÖE S

T A æ ~ ! • Å Á { È  
Öæ æ ö & @ ^ • ^ ! ç ^ • A @ Aã @ Ñ / & @ \* ^

J 9FG 6 B  
J Yg1e.b

9G7 5 46  
ÖWY.

FIGE

< C > 5.  
ÖVYh

F / F