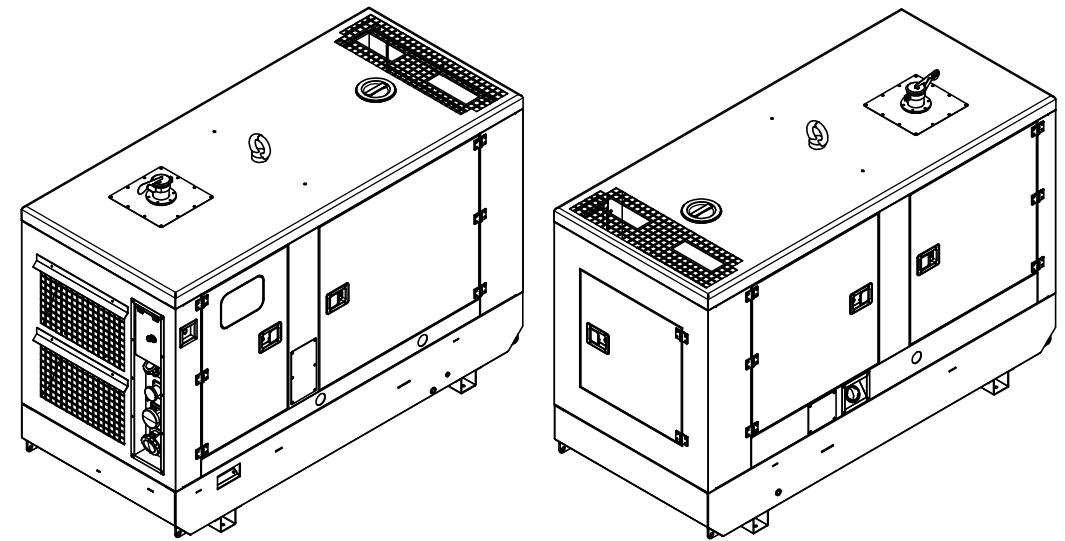
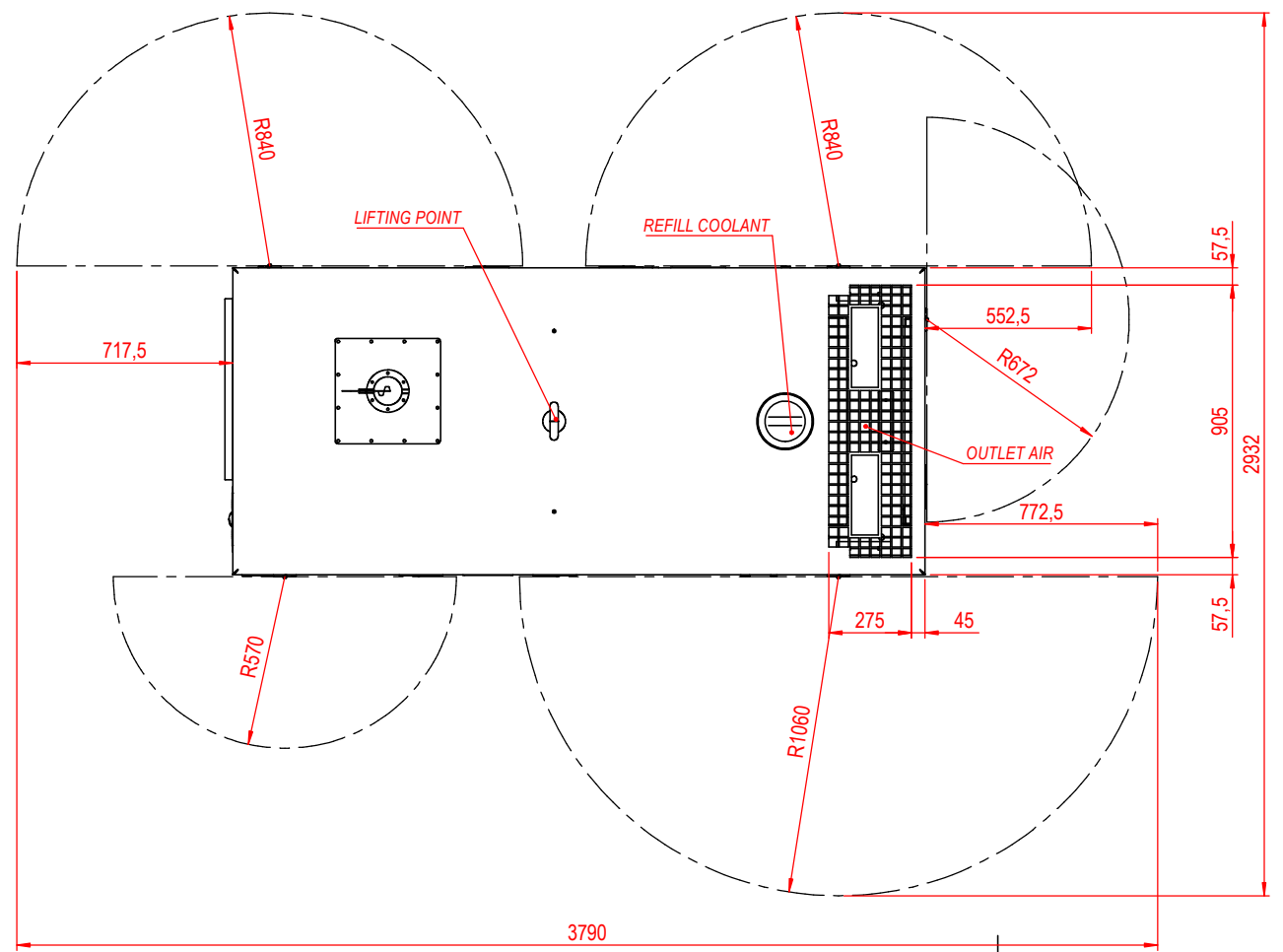
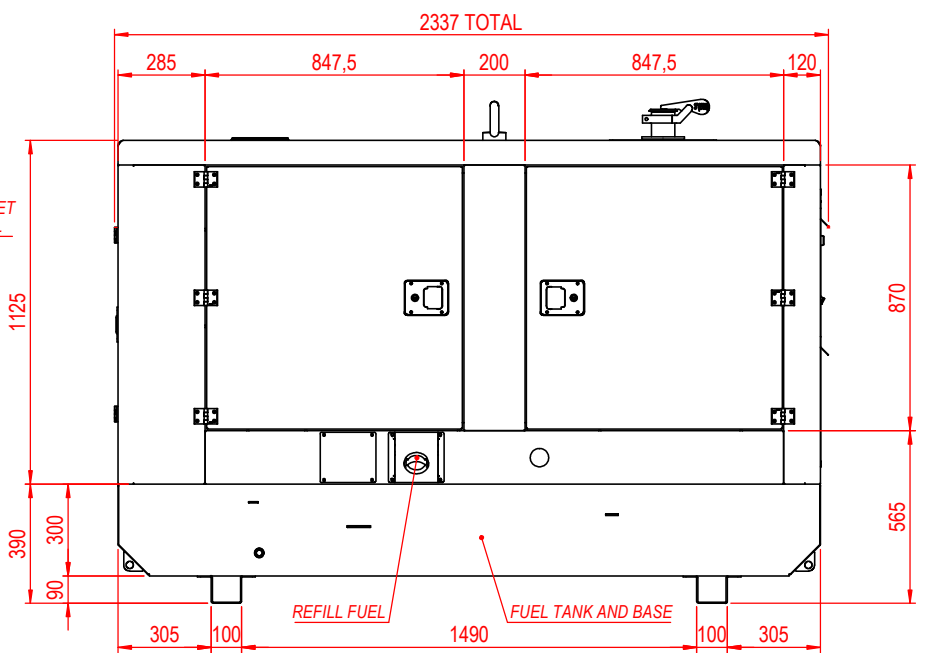
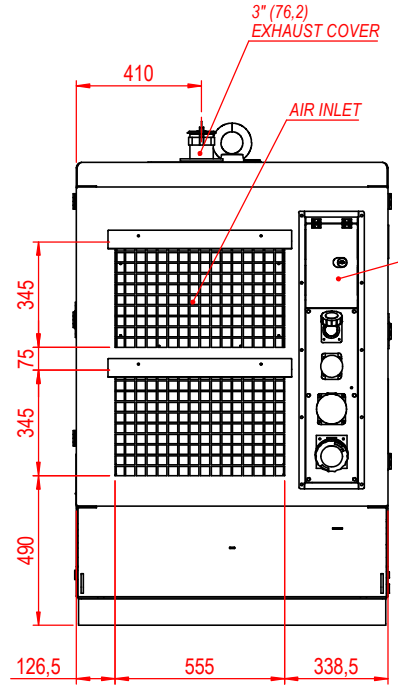
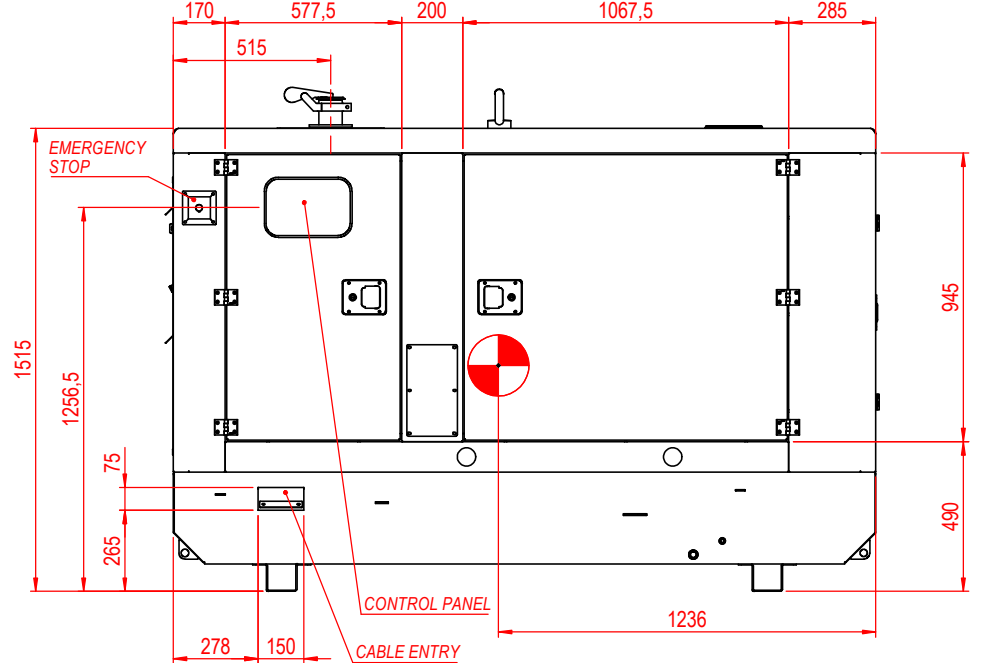
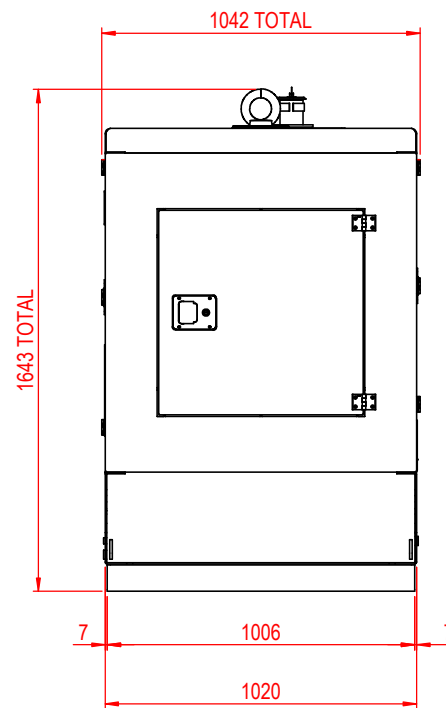


MODIFICACIÓN: EXHAUST COVER DIMENSION IS CORRECTED
 Modification:



⊕ CENTER OF GRAVITY, WILL VARY SLIGHTLY DEPENDING ON:
 - THE ENGINE-ALTERNATOR COMBINATION
 - THE AMOUNT OF FUEL

DIBUJADO POR: Drawn by:	JLOCAÑA	FECHA: Date:	01/08/2022		NORMAS ISO 2768-c A2
APROBADO POR: Approved by:	FTAMARIT	FECHA: Date:	07/09/2023		
MODIFICADO POR: Modified by:	FTAMARIT	FECHA: Date:	07/09/2023		

DESCRIPCIÓN:
 Descriptor:
DAGARTECH-GENSET_RENTAL-PLUS-BK-EU5

Measures in mm.
 Dagartech reserves the right to change

VERSION: 03
 ESCALA: 1:17.5
 HOJA: 1/1