

ATS 60 A

Switchboard
for contactors



WEIGHT:
15 kg

DIMENSIONS:
L: 600 mm
W: 250 mm
H: 400 mm

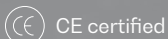
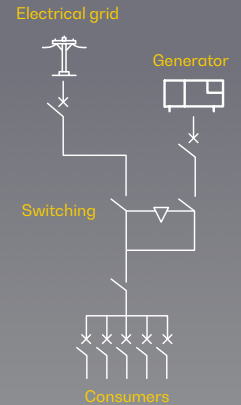
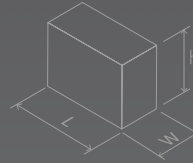


Image for orientation purposes. Dagartech reserves the right to modify the data in this technical sheet without prior notice.



1. General technical data

General technical data	Contactor application	Resistive load
	Employment category	AC-1
	Frequency	50/60Hz
	Number of poles	4
	Composition of auxiliary contacts	1 NA + 1 NC
Rated operating voltage (U_o)	Supply voltage, state 1 <= 690 V CA 25... 400 Hz	
	Supply circuit, state 1 <= 300 V DC	
Nominal corr. of employment (I_o)	60 A 60°C at <= 440 V AC-1 for power supply circuit	
	Type of control circuit	AC at 50/60 Hz
	Control circuit voltage (U_c)	230V AC 50/60Hz
	Peak voltage withstand (U_{imp})	6 kV according to IEC 60947
	Overvoltage category	III
Conventional thermal current at <60°C (I_{th})	10 A at <60°C for signalling circuit	
	60 A at <60°C for supply circuit	
Irms rated connection power	140 A AC for signalling circuit according to IEC 60947-5-1	
	250 A DC for signalling circuit according to IEC 60947-5-1	
	800 A at 440 V for supply circuit according to IEC 60947	
Assigned shearing power	800 A at 440 V for supply circuit according to IEC 60947	
	320 A 40°C - 10 s for supply circuit	
	720 A 40°C - 1 s for supply circuit	
	72 A 40°C - 10 min for supply circuit	
Allowable time current (I_{cw})	165 A 40°C - 1 min for supply circuit	
	100 A - 1 s for signalling circuit	
	120 A - 500 ms for signalling circuit	
	140 A - 100 ms for signalling circuit	

Standards

- CSA C22.2 No 14
- EN 60947-4-1
- EN 60947-5-1
- IEC 60947-4-1
- IEC 60947-5-1
- UL 508

Product certifications

- UL
- BV
- CCC
- LROS (Lloyds Register of Shipping)
- DNV
- CSA
- RINA
- GOST
- GL

50/60 Hz

Remotely operated motorised switch (RTS)

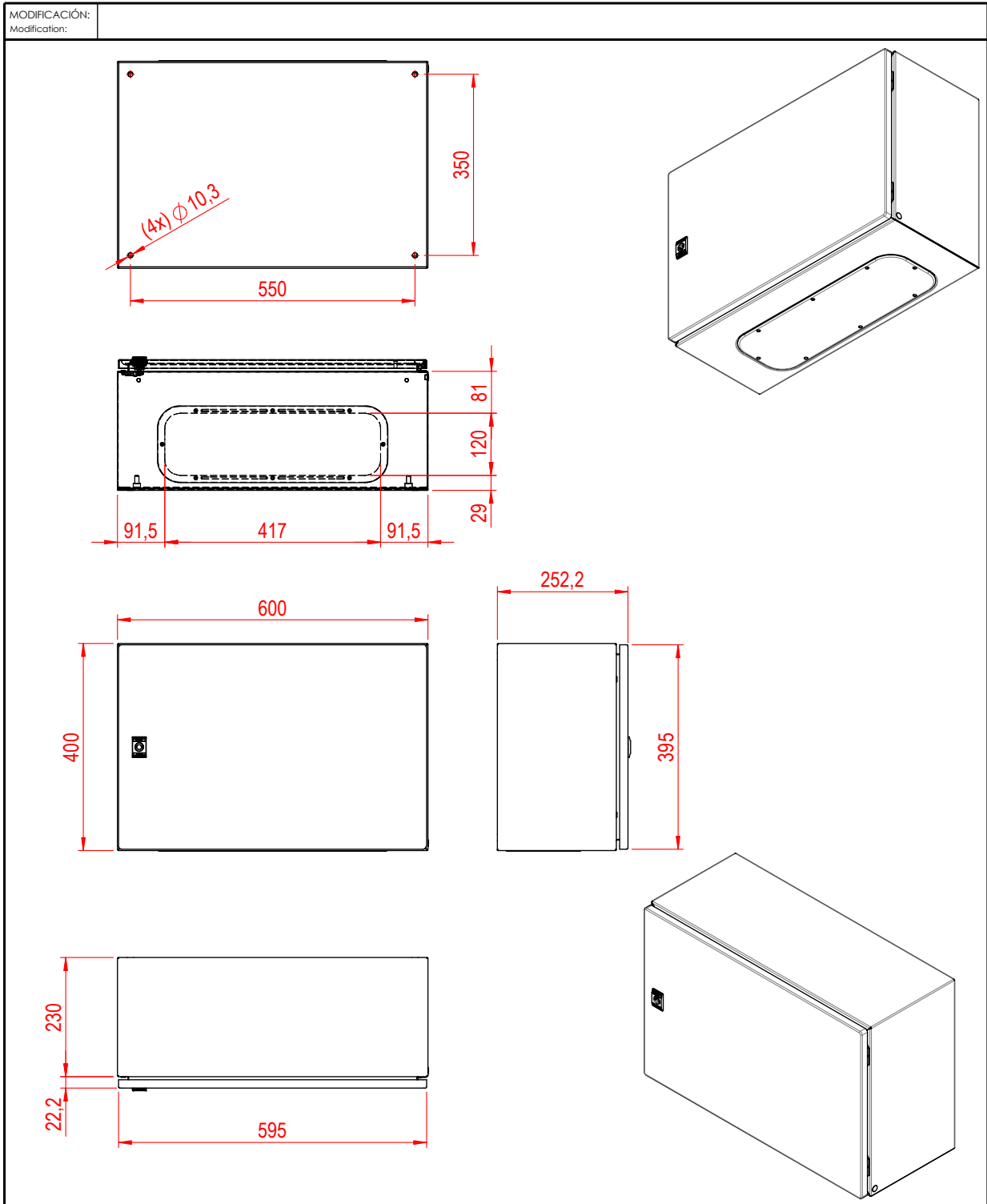
2. Electrical specifications

Electrical specifications / Amperage	60A
Associated fuse	10 A gG for signalling circuit pursuant to IEC 60947-5-1 80 A gG at <= 690 V type 1 coordination for power supply circuit 80 A gG at <= 690 V type 2 coordination for power supply circuit
Rated insulation voltage (U_i)	Power supply circuit, status 1 600 V CSA certified Power supply circuit, status 1 600 V UL certified Signalling circuit, status 1 690 V pursuant to IEC 60947-1 Signalling circuit, status 1 600 V CSA certified Signalling circuit, status 1 600 V UL certified Power supply circuit, status 1 690 V according to IEC 60947-4-1
Average impedance	1.6 mOhm - lth 60 A 50 Hz for power supply circuit
Power dissipation per pole	5,8 W AC-1
Switching duration, network-group (ms)	26
Switching duration, group-network (ms)	26
Maintenance consumption in VA	140 VA 60 Hz 0,75 20 °C) 160 VA 50 Hz 0,75 20 °C)
Consumption on call in VA	13 VA 60 Hz 0,3 20 °C) 15 VA 50 Hz 0,3 20 °C)
Heat dissipation	4...5 W at 50/60 Hz
Maximum cable cross-sections (mm²)	35 mm ² / 2x25 mm ²

3. Mechanical specifications

Electrical specifications / Amperage	60A
Mechanical durability (cycles)	6
Mechanical protection index	IP66
Mechanical shock resistance of the enclosure according to IEC 62262	IK10
RAL Colour	RAL 7035

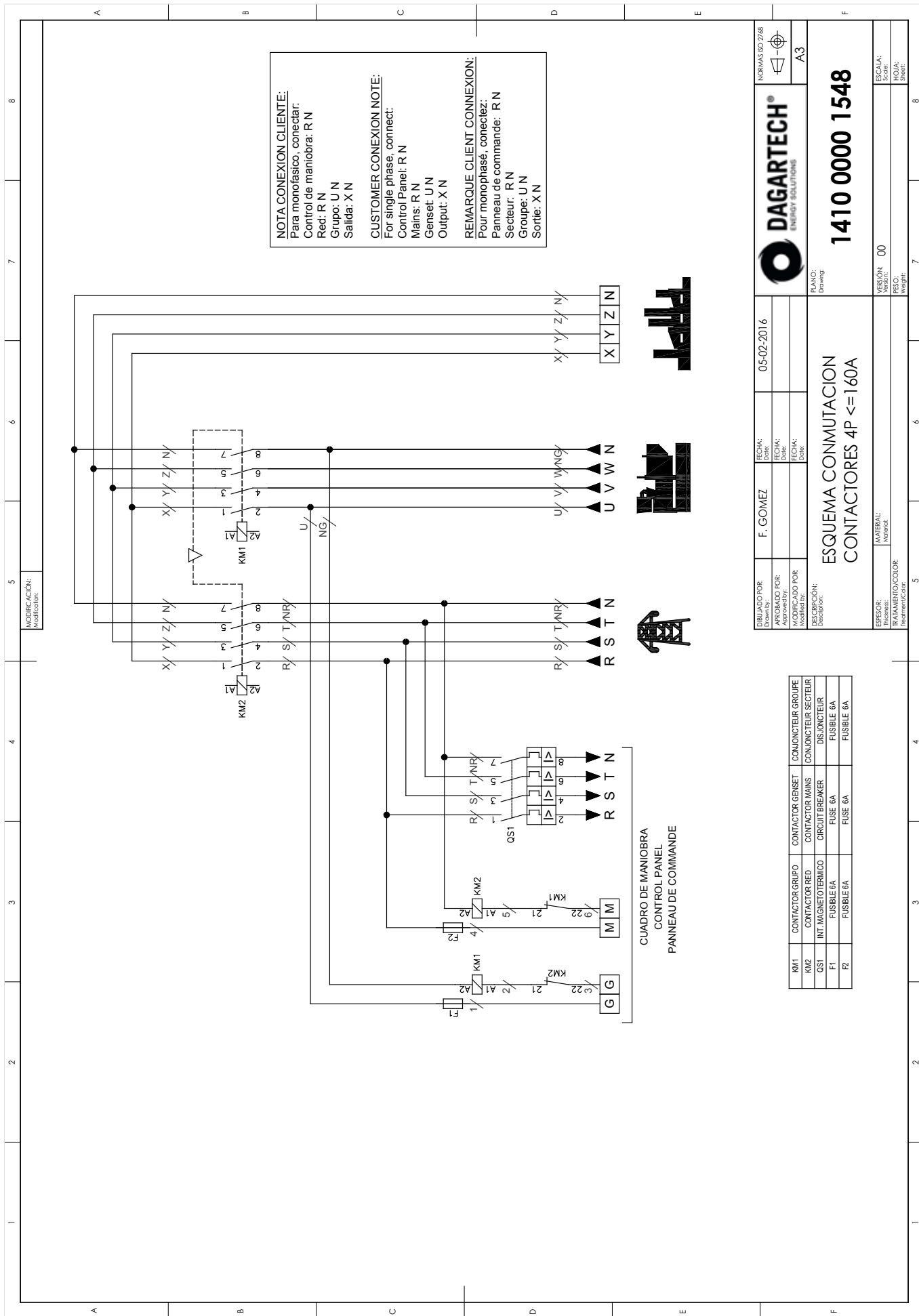
Electrical specifications / Amperage	60A
Mechanical durability (cycles)	6
Mechanical shock resistance of the enclosure according to IEC 62262	IK10



DIBUJADO POR: Drawn by:	PLECINA	FECHA: Date:	23/11/2021		NORMAS ISO 2768-c	
APROBADO POR: Approved by:		FECHA: Date:				
MODIFICADO POR: Modified by:		FECHA: Date:				A4
DESCRIPCIÓN: Description:	ARMARIO DE CHAPA 400X600X250 -- NSYCRN46250 (ALTO X ANCHO X PROFUNDO)			PLANO: Drawing:	140000005314	
ESPEJOR: Thickness:	MATERIAL: VER LISTADO		VERSIÓN: Version:	ESCALA: 1:10		
TRATAMIENTO/COLOR: Treatment/Color:			PESO: Weight:	10.82	HOJA: Sheet:	1 / 1

V.O.-2024. Last update: 19/04/2024. Indicative technical plan and indicative images. Dagartech reserves the right to modify the data in this technical sheet without prior notice.

V.0-2024. Last update: 19/04/2024. Indicative technical plan and indicative images. Dagartech reserves the right to modify the data in this technical sheet without prior notice.



DIBUJADO POR: F. GÓMEZ
 APROBADO POR:
 MODIFICADO POR:
 DESCRIPCIÓN:

FECHA: 05-02-2016
 FECHA:
 FECHA:

NORMAS ISO 2768
 A3

DAGARTECH
 ENERGY SOLUTIONS

1410 0000 1548

PLANO:
 Drawing:

ESQUEMA:
 Scheme: 00
 FICHA:
 Sheet:

REF.	DESCRIPCIÓN	ESPECIFICACIONES
KM1	CONTACTOR GRUPO	CONTACTEUR GROUPE
KM2	CONTACTOR RED	CONTACTEUR MANS
QS1	INT. MAGNETOTERMICO	CIRCUIT BREAKER
F1	FUSIBLE 6A	FUSE 6A
F2	FUSIBLE 6A	FUSE 6A



DAGARTECH[®]

CUSTOM ENERGY SOLUTIONS

info@dagartech.com

T +34 976 141 655

**CUSTOM
ENERGY
SOLUTIONS**

dagartech.com