



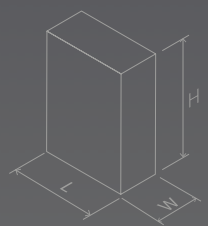


ATyS d 1250A

Remotely operated motorised switch (RTS)

 WEIGHT:
265 kg

 DIMENSIONS:
L: 676 mm
W: 1018 mm
H: 1453 mm



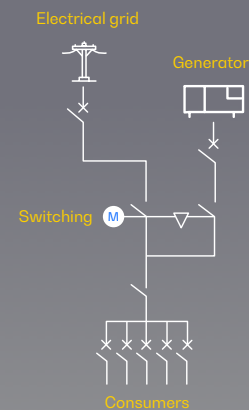




 CE certified

Image for orientation purposes. Dagartech reserves the right to modify the data in this technical sheet without prior notice.


 Supply voltage
208-277VAC±20%

 Plug&play
Solution

 Emergency manual
start

 Watchdog
relay

 IEC 60947-6-1 AC
33B (up to 1250A)

1. General technical data

General technical data	Rated voltage	230VAC	
	Voltage supply range	177-288VAC	
	Frequency	50Hz / 60Hz	
	Number of poles	4	
	IP protection degree	43	
	Cutting and isolating devices	Mechanically interlocked	
	Cutting sectioning	Total Apparent	
	Operating mode	Automatic / manual operation mode with interlocking	
	Blocking	Lock - padlock	
	Cable connection	Low/low	
	Fastening system	Ground fixing	
	Frame colour	RAL 7035	

- ATyS d devices are **4-pole remotely operated motorised transfer switches** with fully apparent cutoff.
- They allow the **on-load transfer of two three-phase power supplies via de-energised remote contacts**, from an external automatic controller, using pulse logic or a switch.
- They are **designed for use in low voltage systems** where an interruption of power to the load during transfer is acceptable.

Environmental conditions	Humidity (non-condensing)	55 °C	80%	
		40 °C	95%	
	Temperature	No de-rating	-20°C +40°C	
		With de-rating	-20°C < t ≤ +70°C	
	Altitude	No de-rating	Max 2000m	
			2000 m<A≤3000	3000m<A≤4000
	Correction factors	EU	0,95	0,8
		IE	0,85	0,85

Directives and Regulations

At a minimum, the ATyS d M models comply with the following international standards

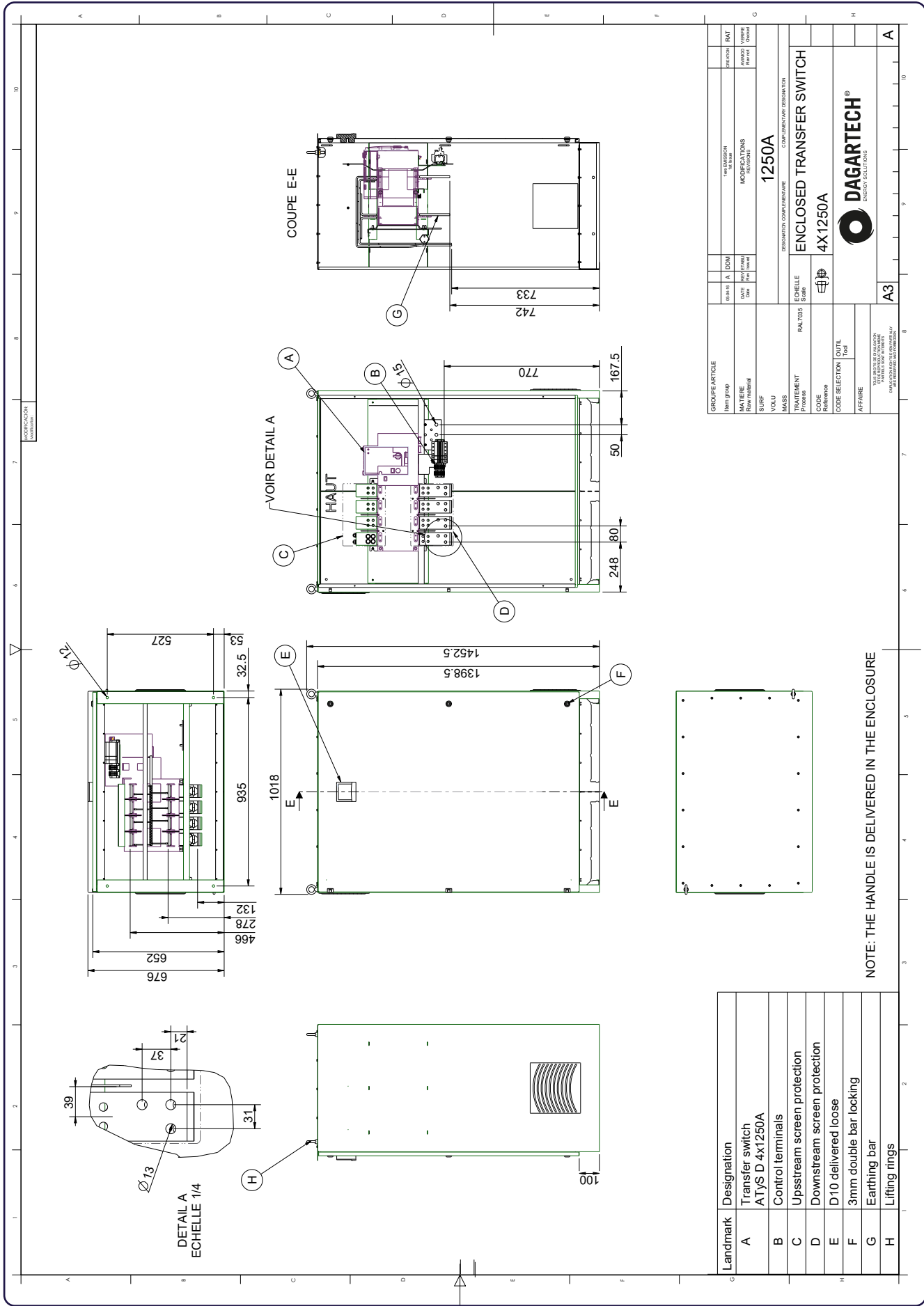
- IEC 60947-6-1
- GB 14048-11
- EN 60947-6-1
- VDE 0660-107
- BS EN 60947-6-1
- NBN EN 60947-6-1
- IEC 60947-3
- IS 13947-3
- EN 60947-3
- NBN EN 60947-3
- BS EN 60947-3

2. Electrical specifications

Amperage		1250A
Frequencies		50Hz / 60Hz
Thermal intensity (Ith) at 40°C (A)		1250
Thermal intensity (Ith) at 50°C (A)		N/A
Thermal intensity (Ith) at 60°C (A)		N/A
Thermal intensity (Ith) at 70°C (A)		N/A
Rated insulation voltage Ui (V) (Power circuit)		1000
Rated impulse voltage Uimp (V) (Power circuit)		12
Rated insulation voltage Ui (V) (Control circuit)		300
Rated impulse voltage Uimp (V) (Control circuit)		4
Rated operating current, Ie (A) IEC 60947-3 at 415VAC - 40°C	AC 21A / 21B ¹	1250/1250
	AC 22A / 22B ¹	1250/1250
	AC 23A / 23B ¹	1250/1250
Rated operating current, Ie (A) IEC 60947-6-1 at 415VAC - 40°C	AC 33A / 32B	N/A
Short-circuit fuse protection (use of DIN gG fuses)	Expected short-circuit current (kA eff)	100
	Associated fuse rating (DIN gG)	1250
Short-circuit capability	Rated short-time withstand current 1s ICW (kA)	N/A
	Rated short-time withstand current 30 ms ICW (kA)	N/A
	Rated short-time withstand current 60 ms ICW (kA)	25
	Rated short-time withstand current 1ms ICW (kA)	35
Reaction time (excluding loss of supply detection time and excluding any applicable delay timer)	I-II or II-I/I-O OR O-O-II (s)	2,6/1,6
	Duration of the "blackout" in Un(s)	1,5
Consumption	Network current (A)	N/A
	Steady state consumption (VA)	N/A
Mechanical characteristics	Number of manoeuvres	4000
Conductor cross-section (not compatible with aluminium cables)	Minimum cross-section (Cu mm ²), rigid and flexible	N/A
	Maximum cross-section (Cu mm ²), rigid and flexible	N/A
Minimum / maximum power supply (VAC)		166/332
Nominal power consumption electric control (start/nominal) (VA)		482/206

¹Category of use with **indication A**: Frequent manoeuvres / Category of use with **indication B**: non-frequent manoeuvres.

V.0 - 2024. Last update: 19/04/2024. Indicative technical plan and indicative images. Dagarotech reserves the right to modify the data in this technical sheet without prior notice.

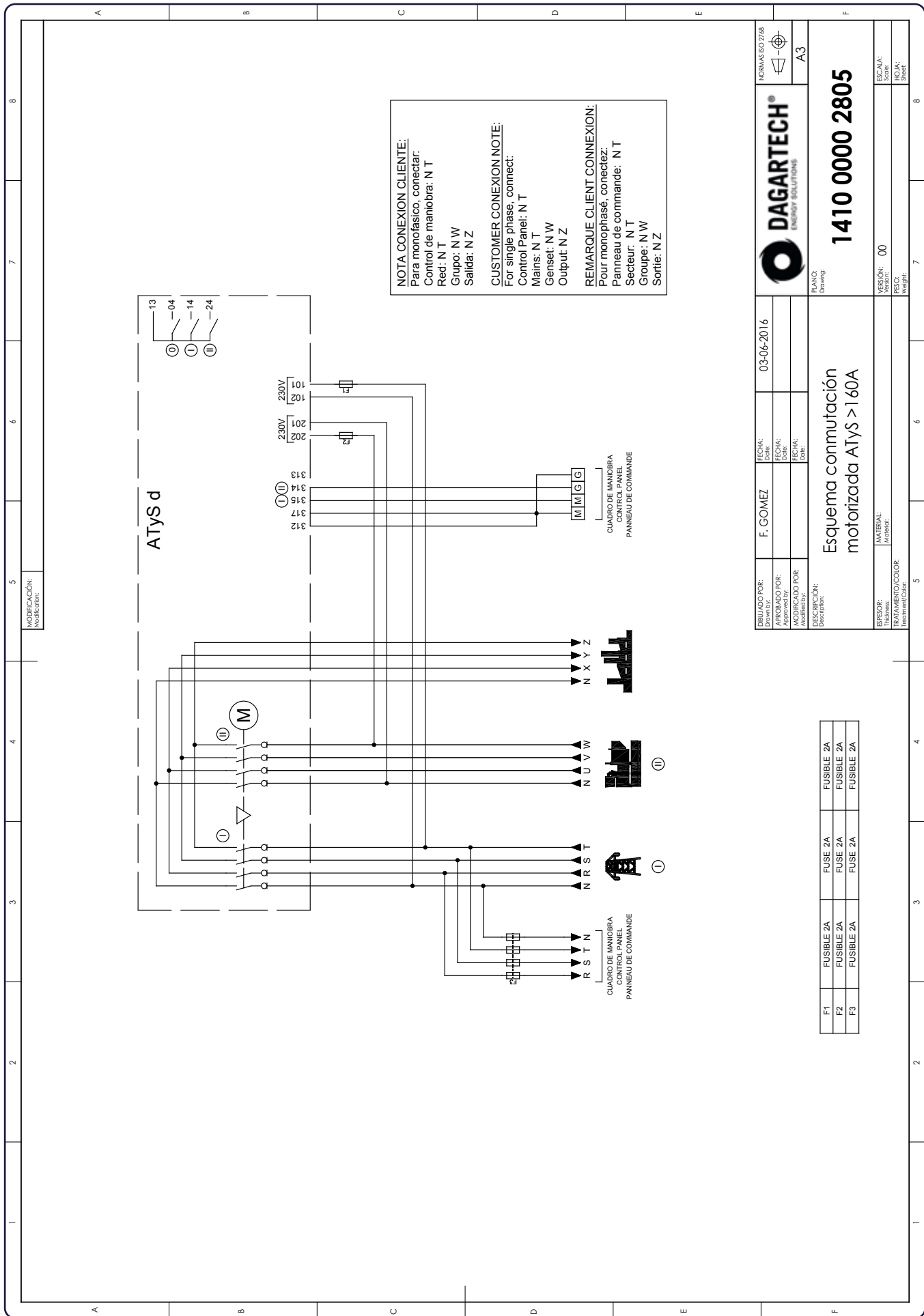


Landmark	Designation
A	Transfer switch ATyS D 4x1250A
B	Control terminals
C	Upstream screen protection
D	Downstream screen protection
E	D10 delivered loose
F	3mm double bar locking
G	Earthing bar
H	Lifting rings

NOTE: THE HANDLE IS DELIVERED IN THE ENCLOSURE

GROUPE/ARTICLE Item group	GROUP	ITEM DESIGNATION	DESCRIPTION	UNIT
	MATIERE Raw material	QUANTITE Quantity	REMARQUES Remarks	REMARQUES Remarks
	SURF Surface			
	VOLU Volume			
DESIGNATION COMPLÉMENTAIRE	COMPLÉMENTAIRE DESIGNATION			
TRAITEMENT Process	RAFFINIS Scale	ENCLOSÉ TRANSFER SWITCH		
CODE Reference		4X1250A		
CODE SELECTION Tool				
AFFAIRE				
<small>NOTES: DÉTAILS ET DIMENSIONS EN PARTIE NON DÉTAILLÉE ONT ÉTÉ RÉVÉLÉS EN CONSULTANT LES ÉCHANGES ET LE MANUEL</small>				
		A3		A

Indicative technical plan and indicative images. Dagartech reserves the right to modify the data in this technical sheet without prior notice.



DAGARTECH
 ENERGY SOLUTIONS

1410 0000 2805

Esquema conmutación motorizada ATys > 160A

DESARROLLADO POR: Desarrollado por:	FECHA: Date:	03-06-2016
APROBADO POR: Approved by:	FECHA: Date:	
MODIFICADO POR: Modified by:	FECHA: Date:	

DESCRIPCIÓN:
Description:

MATERIAL:
Material:

TRATAMIENTO/COLOR:
Treatment/Color:

VERSION:
Versión:
00

ESCALA:
Scale:

HOJA:
Sheet:

PLANO:
Drawing:

NORMAS ISO 7168

A3

F1	FUSIBLE 2A	FUSE 2A	FUSIBLE 2A
F2	FUSIBLE 2A	FUSE 2A	FUSIBLE 2A
F3	FUSIBLE 2A	FUSE 2A	FUSIBLE 2A



DAGARTECH[®]
CUSTOM ENERGY SOLUTIONS

info@dagartech.com

T +34 976 141 655

**CUSTOM
ENERGY
SOLUTIONS**

dagartech.com