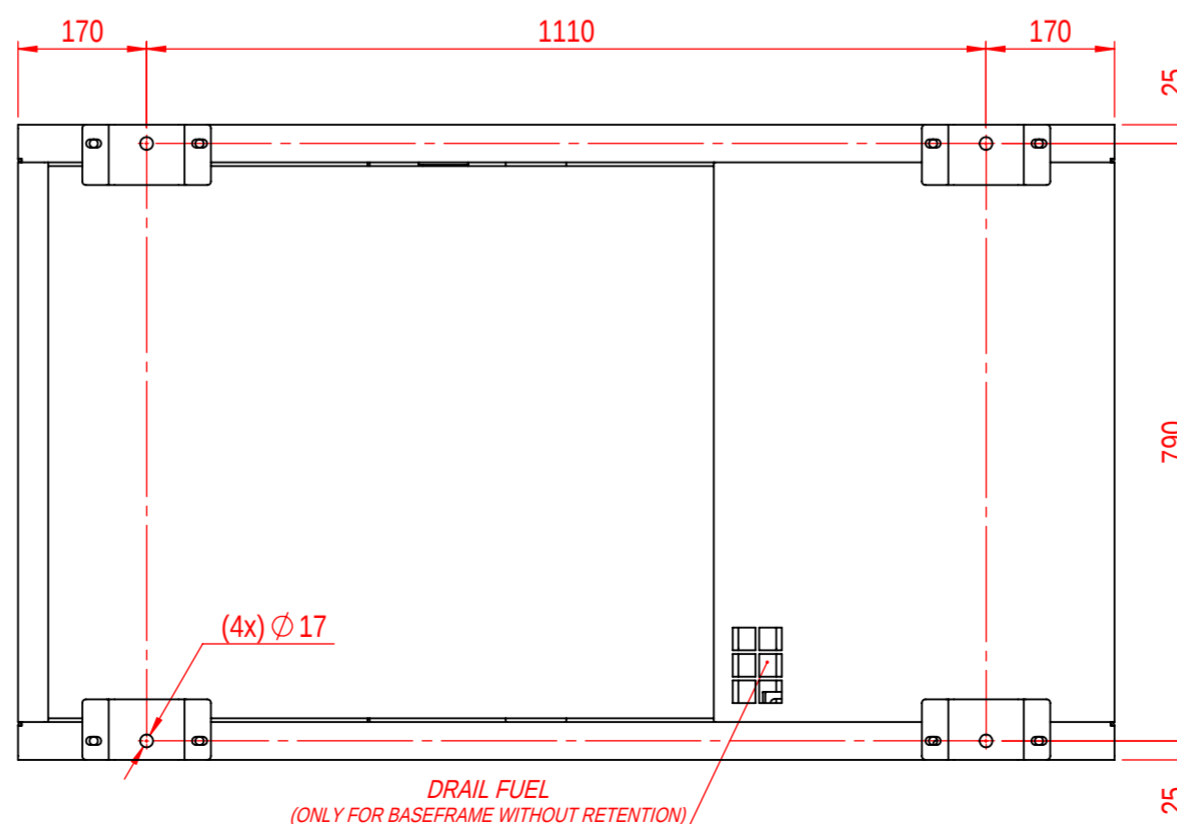


⊗ CENTER OF GRAVITY, WILL VARY SLIGHTLY DEPENDING ON:
- THE ENGINE-ALTERNATOR COMBINATION
- THE AMOUNT OF FUEL

ENGINE	CORE RADIATOR				EXHAUST			
	A	B	C	D	X	Y	Z	Ñ
PERKINS 403A-15G1	425	498	187	367	473	978	70	2" (50,8)
PERKINS 404A-22G1	425	498	187	367	475	966	62	2" (50,8)
BAUDOIN 4M06G20/S - 4M06G25/S	510	470	191	383	708	981	641	2" (50,8)
BAUDOIN 4M06G20/S - 4M06G4D0/S	510	470	191	383	708	981	641	2" (50,8)



8 4l > 5 BC DC F. 8 0k b Vm	RŠUÓCE-CE	97 < 5 8 UY	FI BEJ EDEGE		BCFA 5G GC &*, IW
5 0 FC 6 5 8 C DC F. 5 0 d f j Y X Vm	ØVCF ØEÜQ	97 < 5 8 UY	FHBE EDEGH		5 &
A C B = 7 5 8 C DC F. A c X Z M H e b	ØVCF ØEÜQ	97 < 5 8 UY	FHBE EDEGH		

ÖÖÜÜVVOÖP EÖ ÖP ÜÖV' ÖÖSÖE ÖÖEFSÖEFSÖ

T Å æ ~ ! * Å Á { È

J 9 F G 6 B	EG	9 C T 5 4 6 0 M Y	FIFE
Ö ö ä ä ö & @ ^ ^ i ç ^ A c A ä @ Ä / & @ * ^		< C > 5 0 Y Y h	F / F