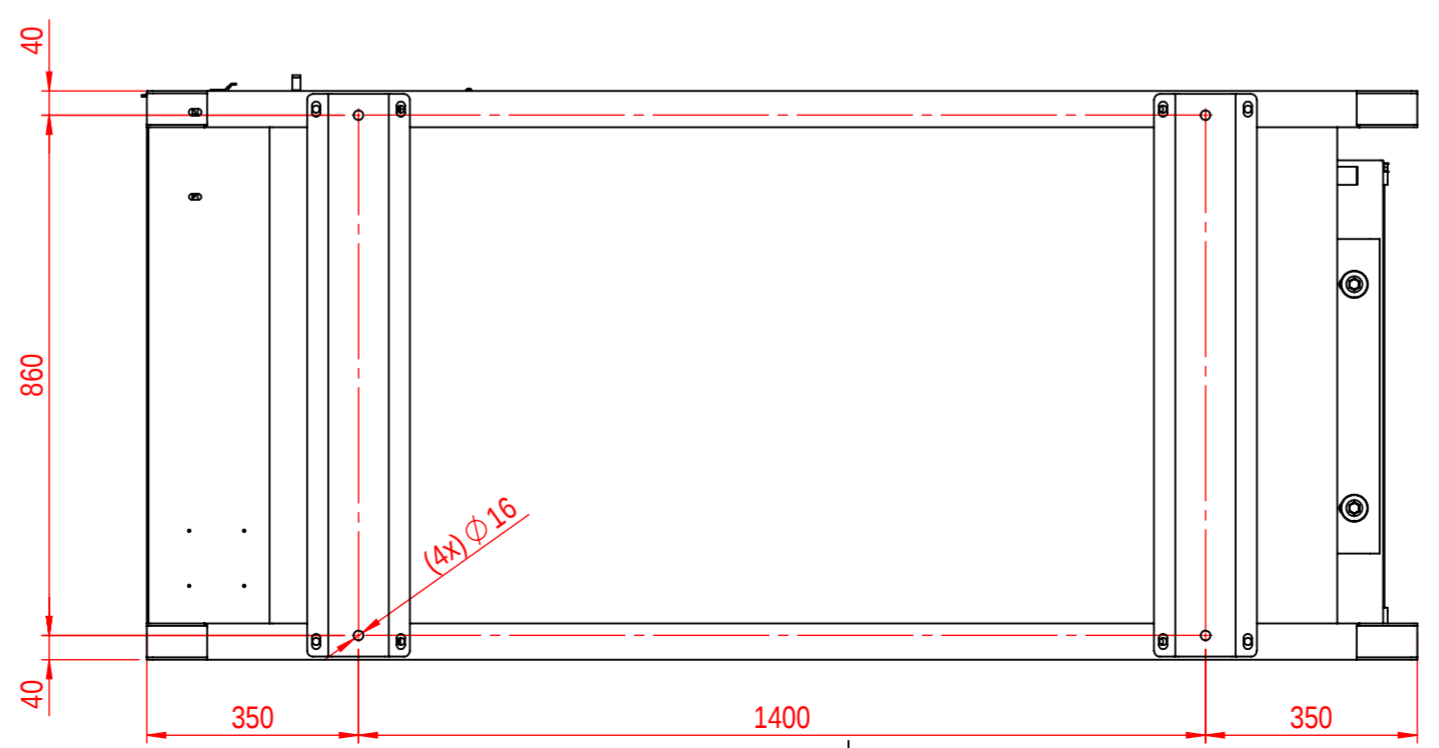


⊗ CENTER OF GRAVITY. WILL VARY SLIGHTLY DEPENDING ON:
- THE ENGINE-ALTERNATOR COMBINATION
- THE AMOUNT OF FUEL

ENGINE	CORE RADIATOR				EXHAUST			Ñ
	A	B	C	D	X	Y	Z	
PERKINS 1104A-44TG2	722	578	88	695	692	1237	234	3" (76,2)
IVECO N45 TM2A	612	784	46	780	603	1520	250	3" (76,2)
BAUDOUIN 4M10G110-5	672	655	150	800	769	1362	866	3" (76,2)



84l >58C DC F. 80k b Vm	RSUÖCE-CE	97<5 BUY	CFBEJ EDEGE		BCFA 5G GC &+, IW
50FC 658C DC F. 50dfej YX Vm	ÖVCEf ÖEÜQ	97<5 BUY	FCGE EDEGH		5 &
A C B = 757 e B. A c X Z M U F b.	ÖVCEf ÖEÜQ	97<5 BUY	FCGE EDEGH		

ÖÖÖÜVÖÖP EÖÖP ÜÖÖV Ö ÖWÜVÜÖEÖS

T A æ ~ ! • Å Á { È
Öæ æ ö & @ ^ • ÿ ç • Å @ A ä @ Ñ / & @ * ^

J 9FG B
J YG B EG

9GT 5 e
ÖWY FIFGE
<C>5.
ÖVYh F/F